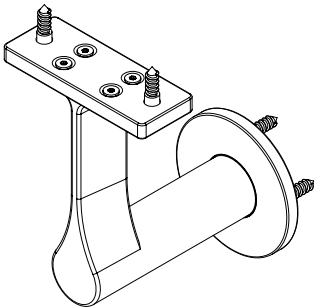


# JOSEPH GILES

Made in Britain

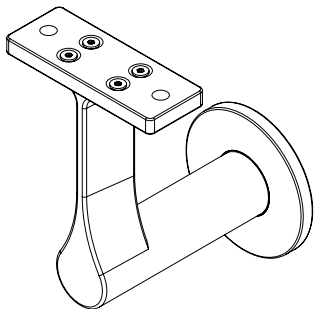


## HB1001 'Fonteyn' Handrail Bracket

---

**Instruction Manual**

# Contents

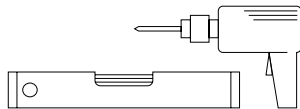
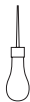


**X5**



**X6**

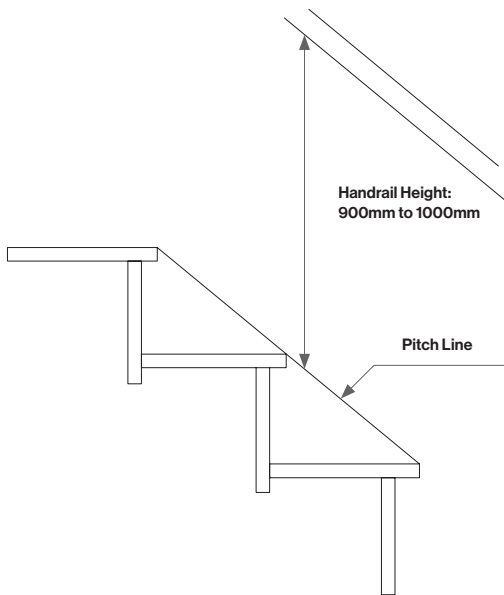
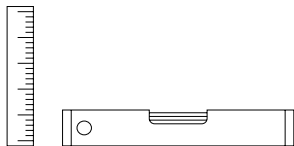
## Tools



# 1

In all buildings, handrail heights should be between 900mm and 1000mm measured from the pitch line to the top of the handrail.

Lay a straight edge, long enough to cover several steps, on the stairs. The pitch line will be the underside of the straight edge.



## 2

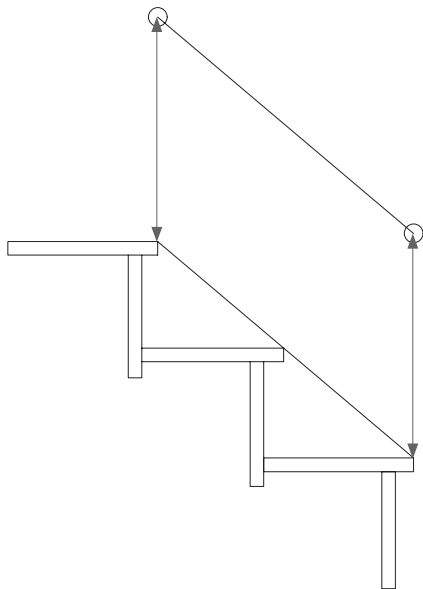
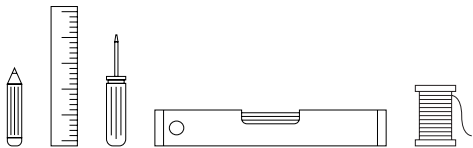
Allowing for the thickness of the handrail, measure up vertically taking 78mm from the base of the handrail.

Put a pencil mark at these points, and fix a screw temporarily into the walls where marked.

Stretch a length of string tightly between these two points.

Check that the height is correct for all the steps and adjust the screws if necessary.

Mark on the wall approximately every 500mm, use a straight edge to join all the points. Remove the screws and string leaving a pencil line along the wall.

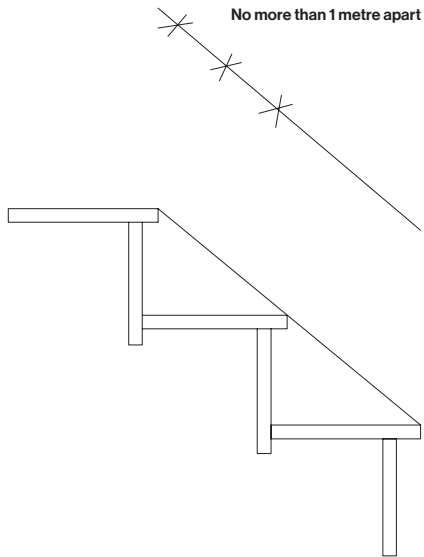
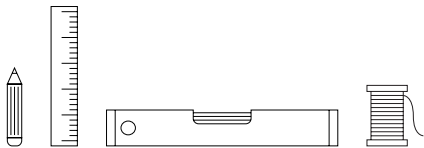


### 3

Draw a pencil line against the straight edge and then repeat the process except for the penultimate riser at the top of the staircase.

You now have two intersection lines that mark the bottom bracket and top bracket. Divide the remaining distance between the two marks so that the brackets are no further than 1m apart. It is normal to have two more points in total.

You will probably have four marked positions.



## 4

Depending on model:

- Pull decorative rose up to expose mechanical fix rose
- Remove two grub screws from the main stem to remove stem and mounting point and decorative rose.

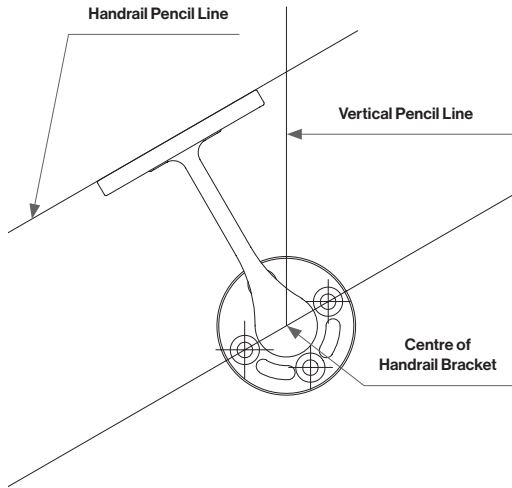
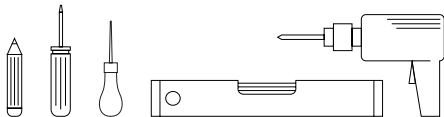
Place the first bracket against the wall with the centre line of the bracket against the vertical line and the handrail plate along the handrail pencil line.

Mark the four holes with a bradawl and then remove the bracket.

Repeat this process for the remaining brackets.

Fix the brackets into the wall using fixing plugs for solid walls, or metal plasterboard anchors for plasterboard partitioning.

N.B: Make sure you have a secure fixing so that the rail is strong enough to fall against.



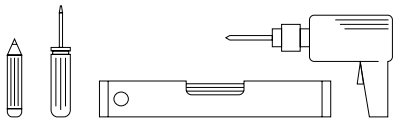
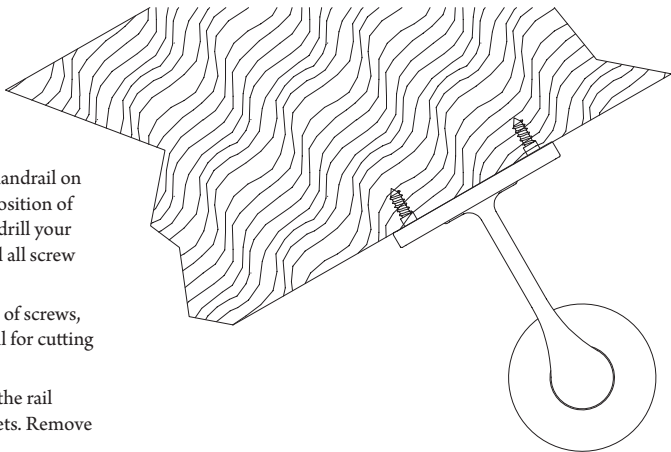
## 5

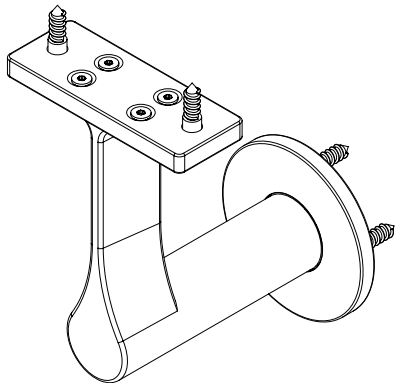
With the aid of another person, place the handrail on the brackets and, with a pencil, mark the position of the fixing holes. This will allow you to pre-drill your handrail. We recommend that you pre-drill all screw holes to avoid splitting your timber.

Temporarily fit the handrail using a couple of screws, and vertically mark the ends of the handrail for cutting to give a more attractive finish.

Use a level to vertically mark both ends of the rail approximately 200mm out from the brackets. Remove the rail and carefully cut with a tenon saw.

Finally, fix your handrail back into position.





Your  
connection  
to a beautiful  
building.



Designed in Britain.  
Made in Britain.

---