

ARMAC MARTIN™

How to install your Magnetic Catch

We recommend using a qualified tradesman for installation.



Magnetic catch - x1



Screws - x4

Tools Required

Appropriate safety equipment i:e safety glasses

Drill dia 3.0 mm

Screwdriver

Tape Measure

Pencil

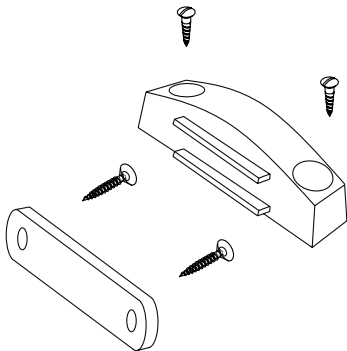
How to install your Magnetic Catch

Step 1 - Mark out the fixing holes

Position your Magnetic Catch on the inside of your cabinet door, vertically or horizontally. Mark out the fixing holes using the Magnetic Catch as a template.

Step 2 - Drill holes

Drill holes with a 3mm drill to ensure it does not break through.

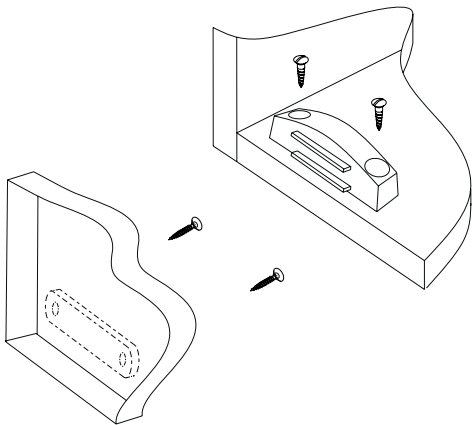


Step 3 - Attach catch

Offer the Magnetic Catch to the cabinet and securely fix it with screws.

Step 4 - Attach plate to the door

Offer up the plate to the door, in alignment with the Magnetic Catch, and fix it securely with screws.



Finish Care & Cleaning

Thank you for purchasing your Magnetic Catch from Armac Martin. Our products are of the finest quality and hand-finished. Please follow the below care guide to maintain the condition of the product you've purchased.

Wipe your product down with a soft dry cloth.

We do not recommend the use of any abrasive cloths or abrasive cleaners.