

Product Documentation



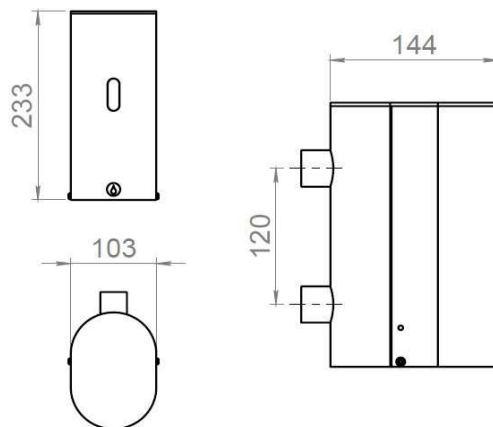
Product Name: Soap dispenser wall-mounted

Article Number: 14.7046.02.000
Satin stainless steel

Photo:



Drawing:



Product Information:

Material: AISI 316 stainless steel
Surface finish: Satin 320 grain or polished
Material thickness / Radius: 1,5
Height: 233mm Width: 103mm Depth: 144mm

"Type design guidelines here"

Certificate: - CE
Warranty: 20 years (non moveable parts)

Spare Parts / Accessories:

Will be added

Mounting:

Will be added

Maintenance:

Wash down with mild detergent, rinse off with clean water and dry off with soft dry cloth.

Product Specification:

d line wall mounted touchless soap dispenser AISI 316 satin stainless steel
Soap tank capacity 800 ml.
Battery alkaline (1,5V) AA size, qty 4(included) or AC adaptor.
Adaptor required - input 100~240Vac, output - DC 6V (included)
Battery life estimated 50,000 cycles or 1 year (DC).

Room temperature 5~40°C.

Dispensing volume (viscosity) 1~1,5 ml. (1~3000 MPas).

Dispenses liquid soap.

The high humidity levels in the bathroom setting necessitates the use of a non-corrosive rustresistant stainless steel. the only metal used in d line's bathroom fittings is AISI 316, also known as marine quality stainless steel.

Related Products:

Packing

1 pcs. per kolli

Environment:

No environmental risk and no risk of fire