

Soap dispenser Ø85, 350 ml

Knud Holscher Collection

d line

PRODUCT DATA SHEET

ITEM NUMBER

14.7045.02.011

SURFACE

Satin finish stainless steel

PRODUCT

Soap dispenser Ø85, 350 ml

PICTURE



TENDER TEXT

Soap dispenser Ø85, 350 ml, with indicator. Outstanding classic danish design by Knud Holscher. Material: stainless steel AISI 316 satin finish

PRODUCT SPECIFICATION

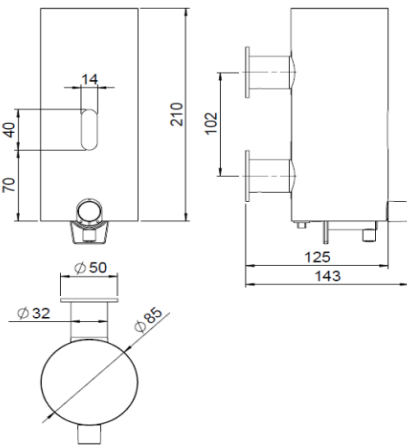
Dimensions: W:Ø85 mm x H:Ø210 mm x D:143 mm.

Material: stainless steel AISI 316

Surface finish: satin finish, crafted by hand

Warranty for stainless steel (non movable) parts - 20 years

DRAWING



SPARE PARTS / ACCESSORIES:

14.7045.26.001 - Soap Container f/Ø85 (w/push buttons)

14.7100.00.000 - spare key f/soap dispenser

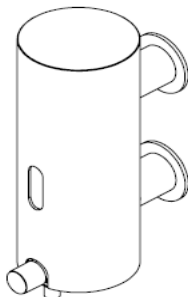
MOUNTING:

With screws supplied in a packet

PACKING:

1pcs in a box

ISO-DRAWING



PRODUCT CARE

d line products are produced in the highest quality stainless steel, marine grade, AISI 316. To sustain the unique d line finish appearance please follow the below instructions:

- Wash down the surfaces using soapy water or mild detergent
- Always thoroughly rinse off with clean water
- To complete the cleaning procedure dry/polish the surfaces with a soft dry cloth

Please do not use scouring powder, steel wool, chloride based detergents or other aggressive cleaning products as these may damage the surface.

If spots or corrosion appear on the surface it is not due to the stainless steel quality, but to impurities in the environment, aggressive conditions or improper or insufficient cleaning.